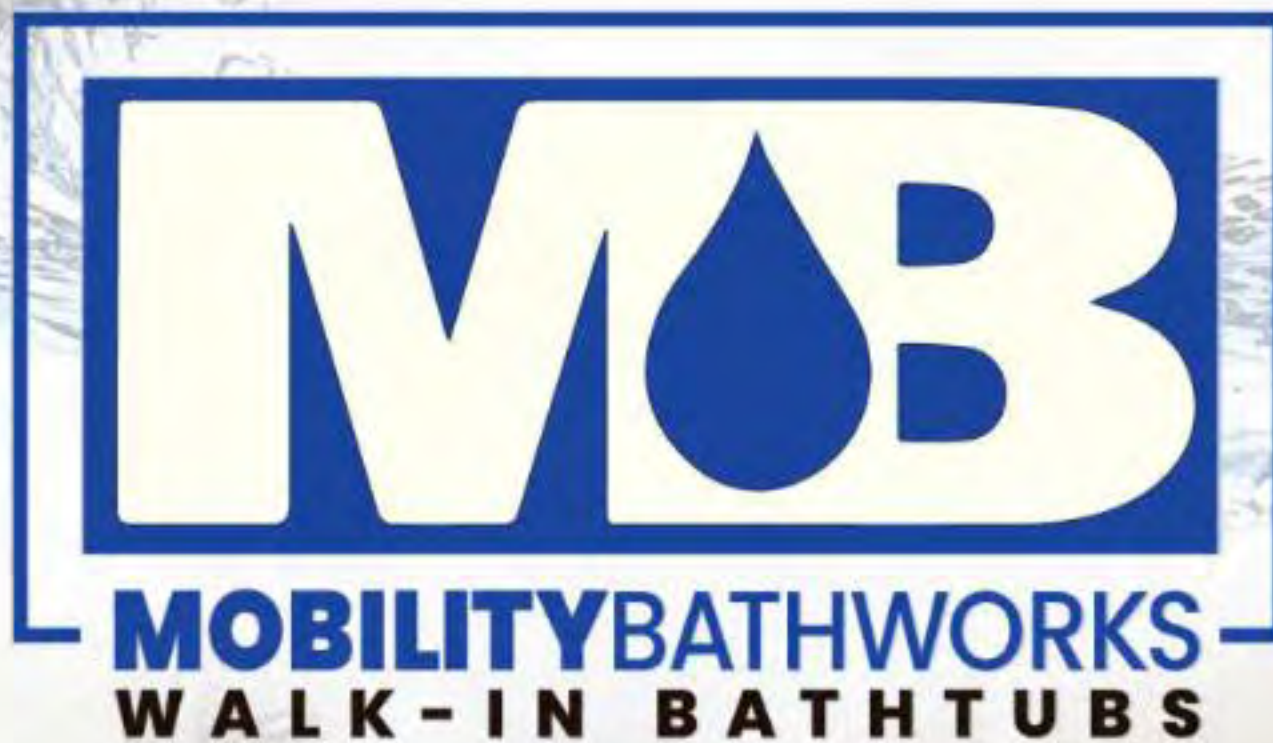




VETERAN
OWNED BUSINESS

US Assembled and US Quality Controlled
with US and North American Components!



T.(214)-838-1220



www.mbwalkintubs.com



info@mbwalkintubs.com

West Coast Facility

1309 Ave H
Grand Prairie, TX 75050

TABLE OF CONTENTS

TITLE

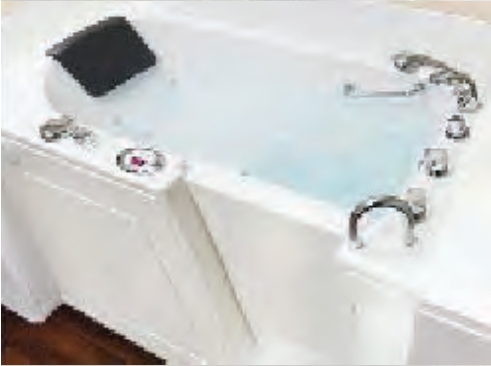
PAGE

Walk-In Tub Options	3-7
Elite Series Walk-in Tubs	8-25
.....	

WALK-IN TUB OPTIONS

AIR MASSAGE

This system features 18 individual air jets placed around the tub. These jets send air bubbles that cling to the skin to promote circulation. An added benefit with air jets is that bath salts and oils can be used.



SYSTEM INCLUDES

- ⇒ 18 warm air jets 110V-120V
- ⇒ Standard Plug-In, 1hp Air Pump
- ⇒ Pneumatic push control in chrome

HYDRO MASSAGE

6 to 10 chrome water jets provide a more vigorous, focused massage as water sprays out of the jets which are strategically placed throughout your tub to hit specific areas such as your neck, shoulders, back, arms, hips, legs and feet.

SYSTEM INCLUDES

- ⇒ 6 to 10 chrome power water jets 110V-120V
- ⇒ Standard Plug-In, 1hp Air Pump
- ⇒ Pneumatic push control or in chrome
- ⇒ Pressure Control Valve changes the water intensity



CHROMATHERAPY

It is used to balance each person's physical, spiritual, mental and emotional energy. With our LED lighting designs you can create an ideal relaxed environment.



SYSTEM INCLUDES

- ⇒ 9-LED lights strategically placed in tub
- ⇒ Combination of 7 colors
- ⇒ Choices of 21 blended colors to help you release stress

AROMATHERAPY

Used to improve physical, mental and emotional well-being of our central nervous system. Just a little drop combined with warm water will rejuvenate your body and mind.



ELEKTRONIC CONSOLE UNIT WITH TOUCH KEYPAD CONTROLS

- ⇒ Hydro
- ⇒ Air massage
- ⇒ Ozone
- ⇒ Chromatherapy
- ⇒ FM Radio
- ⇒ LED screen shows water temperatures
- ⇒ Memory for presets



IN-LINE HEATER

Designed for the pressure side of the bathtub pump and has a built in internal pressure switch to control heater operation. Important: bathtub heaters will only maintain the water temperature that is put into the tub. They will not increase the water temperature.

SYSTEM INCLUDES:

- ⇒ 104° preset thermostat
- ⇒ Intelligent High Limit Switch
- ⇒ Heater "On" Light





O₃NE THERAPY

OZONE SANITIZER

Created from the oxygen we breath, Ozone gas is a powerful sanitizer that is known to kill disease-causing microorganisms. This Ozone gas then flows through the air system piping and out through the air jets disinfecting the system after you bath.



HEATED SEAT & BACKREST

Lets you sit cozy while you wait for the water to drain or fill.



BLUE TOOTH HAND-HELD SHOWER KIT

Lets you play your favorite song as you indulge in comfort.



MICROBUBBLE THERAPY

The all-natural, breakthrough hydrotherapy that will exfoliate, hydrate and moisturize your skin, gently and quietly, while you relax in continuously warming water.

Nothing but 100% natural ingredients at work. No soaps, chemicals, additives, detergents or microplastics. Additionally, having a single water input - plus the natural antimicrobial properties of the microbubbles - means avoiding issues of jetted tubs.



MICROBUBBLE JET

- ⇒ Gentle Massage Bath
- ⇒ Uses negative ions to clean and oxygenate your skin
- ⇒ Oxygen boost
- ⇒ Gentle deep clean pores
- ⇒ Remove oil from your skin
- ⇒ Wrap the dirt
- ⇒ Follicle activation
- ⇒ Improve elasticity of the skin
- ⇒ Water stays warm
- ⇒ Save 40% water



PERSONAL HYGIENE THERAPY:

Mobility Bathworks personal hygiene system features a bidet built into the seat, allowing you to cleanse intimate body parts fully and safely without sacrificing sanitation.

Comes with separate control to turn it ON and OFF.



BIDET JET

NEW VIBRO-SONIC HYDRO SYSTEM

ENJOY YOUR BENEFITS
OF A WHIRPOOL
MASSAGE INTO YOUR
VIBRO-SONIC JET WITH
OUR NEVER BEFORE
SEEN VIBRO-SONIC
WHIRLJET.



PULSATING MASSAGE

Let you feel an array of pulsation and vibration on your back with or without water.



Pulsation

The Vibro-Sonic System offers various levels of power, depending on your body and muscle density.



Vibration

The Vibro-Sonic System offers various levels of vibration allowing the massage to deeply penetrate within your muscles.



Aqua-Pressure

Let the energy flow through your aches and pains and relieve the tension by an effective Aqua-pressure massage.



Sequences

The Vibro-Sonic System offers different and unique Shiatsu massage sequences that will offer a variety of massage types where you need it most.

HYDRO VIBRO SONIC WALK IN TUB SETUP OPTIONS

Foot Massage

Imagine a personal foot masseuse with a touch of a button.




Upper & Lower Back

Lets you feel an array of pulsation and vibration on your back as if your sitting in your very own massage chair.

Calves Area

Great way to relief tight calf muscles .

ELITE SERIES WALK-IN TUBS

NAME	WIDTH	LENGTH	HEIGHT	WATER CAPACITY OCCUPIED (gal)	PAGE
Elite 2640 Walk-in Tub	26"	40"	38"	44	9
Elite 2646 Walk-in Tub	26"	46"	38"	48	10
Elite 2653 Walk-in Tub	26"	53"	36"	52	11
Elite 2848 Walk-in Tub	28"	48"	40"	52	12
 Elite 3052 Low Threshold Walk-in Tub	30"	52"	40"	53	13
Elite 3053 Walk-in Tub	30"	53"	38"	55	14
Elite 2852 Walk-in Tub	28"	52"	41"	55	15
Elite 3060 Walk-in Tub	30"	60"	38"	46	16
Elite 3355 Walk-in Tub	33"	55"	41"	67	17
Elite 3555 Walk-in Tub	35"	55"	41"	72	18
Elite Hi Boy Walk-in Tub	30"	55"	46"	95	19
Elite 3338 Walk-in Tub	33"	38"	40"	42	20
Elite 2852 Transfer Tub	28"	52"	41"	55	21
Elite 3052 Transfer Tub	30"	52"	41"	58	22
Elite 3252 Transfer Tub	32"	52"	41"	60	23
Elite 3260 Transfer Tub	32"	60"	33"	50	24
Elite Lay Down	30"	60"	23"	30	25
			"		
	"				
	"	"	"		

W
A
L
K

I
N

T
U
B

The Mobility Bathworks Tub 2640 from our ELITE Series provides a luxury spa experience from the comfort of your own home.

Boasting a 38" high tub basin, the 2640 allows for deeper upper body water immersion while maintaining a compact footprint for almost any bathtub or shower space. Its overall size and 20.5" seat make the 2640 the perfect size for narrow, 60" bathrooms while being large enough to accommodate individuals between 120-250 lbs.

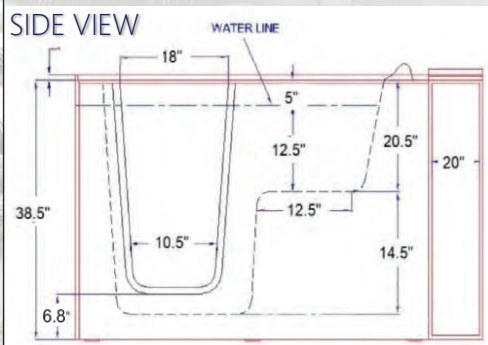
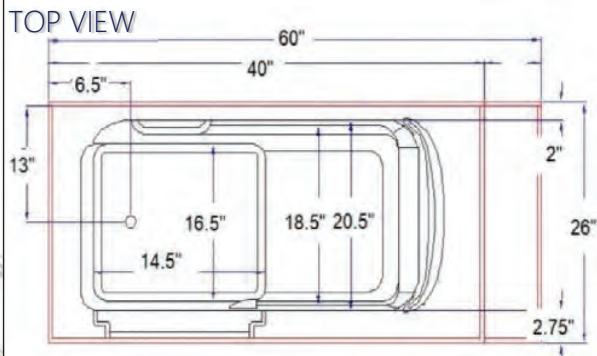


STANDARD FEATURES

- ⇒ Marine-Grade Fiberglass & Resin Composite Tub Shell
- ⇒ High-Gloss, Triple-Coated Gelcoat Finish
- ⇒ One-Piece, Stainless-Steel Support Frame
- ⇒ 6 Adjustable Leveling Legs
- ⇒ Low, 6.8" Door Threshold
- ⇒ Ergonomic, Curved Door Handle
- ⇒ Water-Tight Door Seal
- ⇒ 14.5" High, ADA-Compliant, Contoured Seat
- ⇒ Interior Safety Grab Bar
- ⇒ Deck-Mounted, U-Shaped Grab Bar
- ⇒ Non-Slip, Textured Floor
- ⇒ Integrated Door Drain
- ⇒ Front Access Maintenance Panels
- ⇒ Color-Matched Extension Kit to Fill to 60"
- ⇒ Flangeless Design

2
6
4
0

TUB 2640 SPECIFICATIONS



Tube Dimensions	26"W x 40"L x 38"H
Tube Weight	180 lbs
Crated Dimensions	27"W x 42"L x 48"H
Seat Dimensions	14.5"H x 20.5"W
Water Capacity Occupied	44 Gallons
Door Width	18"
Door / Drain Orientation	Left-Hand or Right Hand
Door Swing	Outward-Swinging
Colors Available	White Biscuit

HYDROMASSAGE SYSTEM ADD-ONS & UPGRADES

- ⇒ Leg Massage Only System
- ⇒ Adjustable Bidet Jet
- ⇒ Ozone Sanitization System
- ⇒ Water-Heating Syllent Pump
- ⇒ Friction Heater
- ⇒ Inline Heater
- ⇒ Additional Hip or Knee Jets
- ⇒ Aromatherapy System

E
L
I
T
E

S
E
R
I
E
S

W
A
L
K
I
N
T
U
B

The Mobility Bathworks Tub 2646 from our ELITE Series provides a luxury spa experience from the comfort of your own home.

Boasting a 38" high tub basin, the 2646 allows for deeper upper body water immersion while maintaining a compact footprint for almost any bathtub or shower space. Its overall size and 20.25" seat make the 2646 the perfect size for narrow, 60" bathrooms while being large enough to accommodate individuals between 120-250 lbs.



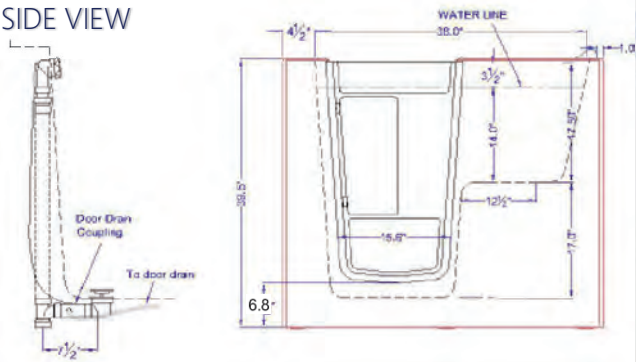
STANDARD FEATURES

- ⇒ Marine-Grade Fiberglass & Resin Composite Tub Shell
- ⇒ High-Gloss, Triple-Coated Gelcoat Finish
- ⇒ One-Piece, Stainless-Steel Support Frame
- ⇒ 6 Adjustable Leveling Legs
- ⇒ Low, 6.8" Door Threshold
- ⇒ Ergonomic, Curved Door Handle
- ⇒ Water-Tight Door Seal
- ⇒ 17" High, ADA-Compliant, Contoured Seat
- ⇒ Interior Safety Grab Bar
- ⇒ Deck-Mounted, U-Shaped Grab Bar
- ⇒ Non-Slip, Textured Floor
- ⇒ Integrated Door Drain
- ⇒ Front Access Maintenance Panels
- ⇒ Color-Matched Extension Kit to Fill to 60"
- ⇒ Flangeless Design

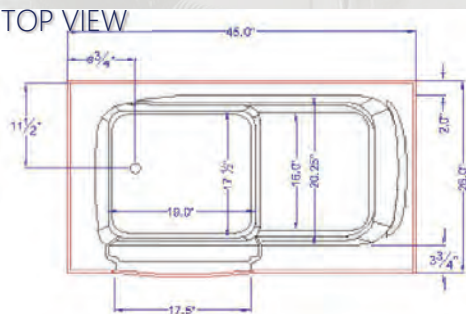
2
6
4
6

TUB 2646 SPECIFICATIONS

SIDE VIEW



TOP VIEW



Tub Dimensions	26"W x 46"L x 38"H
Tub Weight	190 lbs
Crated Dimensions	28"W x 47"L x 50"H
Seat Dimensions	17"H x 20.25"W
Water Capacity Occupied	48 Gallons
Door Width	17.5"
Door / Drain Orientation	Left-Hand or Right Hand
Door Swing	Inward-Swinging
Colors Available	White Biscuit

HYDROMASSAGE SYSTEM ADD-ONS & UPGRADES

- ⇒ Leg Massage Only System
- ⇒ Adjustable Bidet Jet
- ⇒ Ozone Sanitization System
- ⇒ Water-Heating Syllent Pump
- ⇒ Friction Heater
- ⇒ Inline Heater
- ⇒ Additional Hip or Knee Jets
- ⇒ Aromatherapy System

W
A
L
K
I
N
T
U
B

The Mobility Bathworks Tub 2653 from our ELITE Series provides a luxury spa experience from the comfort of your own home.

Boasting a 36" high tub basin, the 2653 allows for deeper upper body water immersion while maintaining a compact footprint for almost any bathtub or shower space. Its overall size and 20.5" seat make the 2653 the perfect size for narrow, 60" bathrooms while being large enough to accommodate individuals between 120-250 lbs.



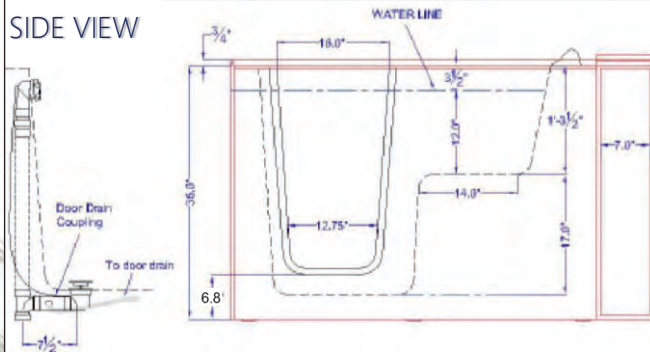
STANDARD FEATURES

- ⇒ Marine-Grade Fiberglass & Resin Composite Tub Shell
- ⇒ High-Gloss, Triple-Coated Gelcoat Finish
- ⇒ One-Piece, Stainless-Steel Support Frame
- ⇒ 6 Adjustable Leveling Legs
- ⇒ Low, 6.8" Door Threshold
- ⇒ Ergonomic, Curved Door Handle
- ⇒ Water-Tight Door Seal
- ⇒ 17" High, ADA-Compliant, Contoured Seat
- ⇒ Interior Safety Grab Bar
- ⇒ Deck-Mounted, U-Shaped Grab Bar
- ⇒ Non-Slip, Textured Floor
- ⇒ Integrated Door Drain
- ⇒ Front Access Maintenance Panels
- ⇒ Color-Matched Extension Kit to Fill to 60"
- ⇒ Flangeless Design

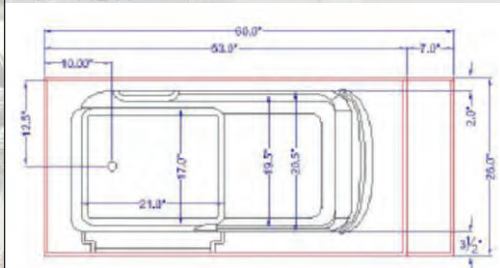
2
6
5
3

TUB 2653 SPECIFICATIONS

SIDE VIEW



TOP VIEW



Tub Dimensions	26"W x 53"L x 36"H
Tub Weight	200 lbs
Crated Dimensions	27"W x 54"L x 46"H
Seat Dimensions	17"H x 20.5"W
Water Capacity Occupied	52 Gallons
Door Width	16"
Door / Drain Orientation	Left-Hand or Right Hand
Door Swing	Inward-Swinging
Colors Available	White Biscuit

HYDROMASSAGE SYSTEM ADD-ONS & UPGRADES

- ⇒ Leg Massage Only System
- ⇒ Adjustable Bidet Jet
- ⇒ Ozone Sanitization System
- ⇒ Water-Heating Syllent Pump
- ⇒ Friction Heater
- ⇒ Inline Heater
- ⇒ Additional Hip or Knee Jets
- ⇒ Aromatherapy System

W
A
L
K

I
N

T
U
B

The Mobility Bathworks Tub 2848 from our ELITE Series provides a luxury spa experience from the comfort of your own home.

Boasting a 40" high tub basin, the 2848 allows for deeper upper body water immersion while maintaining a compact footprint for almost any bathtub or shower space. Its overall size and 22" seat make the 2848 the perfect size for narrow, 60" bathrooms while being large enough to accommodate individuals between 120-250 lbs.

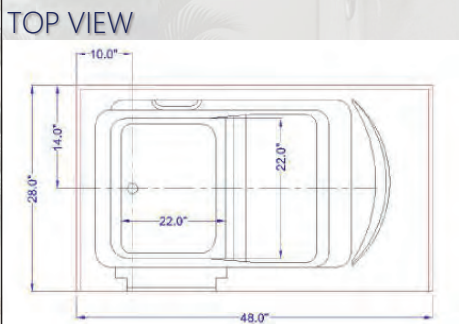
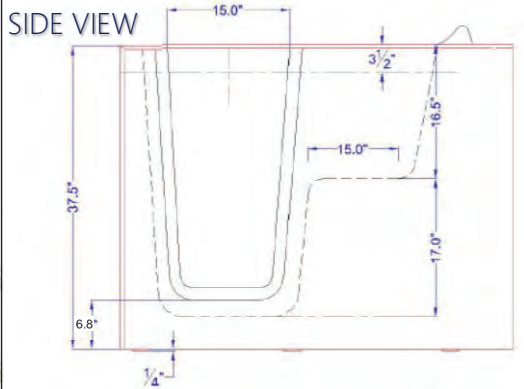


STANDARD FEATURES

- ⇒ Marine-Grade Fiberglass & Resin Composite Tub Shell
- ⇒ High-Gloss, Triple-Coated Gelcoat Finish
- ⇒ One-Piece, Stainless-Steel Support Frame
- ⇒ 6 Adjustable Leveling Legs
- ⇒ Low, 6.8" Door Threshold
- ⇒ Ergonomic, Curved Door Handle
- ⇒ Water-Tight Door Seal
- ⇒ 17" High, ADA-Compliant, Contoured Seat
- ⇒ Interior Safety Grab Bar
- ⇒ Deck-Mounted, U-Shaped Grab Bar
- ⇒ Non-Slip, Textured Floor
- ⇒ Integrated Door Drain
- ⇒ Front Access Maintenance Panels
- ⇒ Color-Matched Extension Kit to Fill to 60"
- ⇒ Flangeless Design

2
8
4
8

TUB 2848 SPECIFICATIONS



Tub Dimensions	28"W x 48"L x 40"H
Tub Weight	200 lbs
Crated Dimensions	29"W x 49"L x 50"H
Seat Dimensions	17"H x 22"W
Water Capacity Occupied	52 Gallons
Door Width	15"
Door / Drain Orientation	Left-Hand or Right Hand
Door Swing	Inward-Swinging
Colors Available	White Biscuit

HYDROMASSAGE SYSTEM ADD-ONS & UPGRADES

- ⇒ Leg Massage Only System
- ⇒ Adjustable Bidet Jet
- ⇒ Ozone Sanitization System
- ⇒ Water-Heating Syllent Pump
- ⇒ Friction Heater
- ⇒ Inline Heater
- ⇒ Additional Hip or Knee Jets
- ⇒ Aromatherapy System



W
A
L
K

I
N

T
U
B

The Mobility Bathworks Tub 3052 from our ELITE Series provides a luxury spa experience from the comfort of your own home.

Boasting a 40" high tub basin, the 3052 allows for deeper upper body water immersion while maintaining a compact footprint for almost any bathtub or shower space. Its overall size and 20.5" seat make the 3052 the perfect size for narrow, 60" bathrooms while being large enough to accommodate individuals between 120-250 lbs.



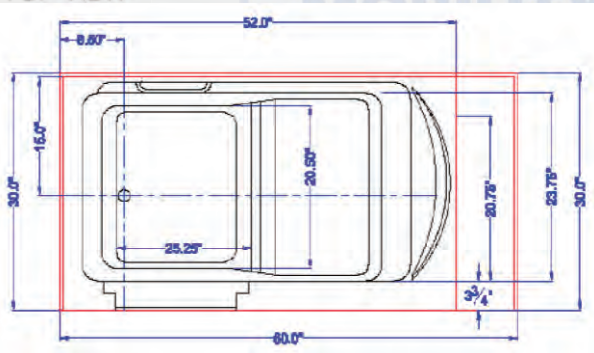
STANDARD FEATURES

- ⇒ Marine-Grade Fiberglass & Resin Composite Tub Shell
- ⇒ High-Gloss, Triple-Coated Gelcoat Finish
- ⇒ One-Piece, Stainless-Steel Support Frame
- ⇒ 6 Adjustable Leveling Legs
- ⇒ Low, 3.5" Door Threshold
- ⇒ Ergonomic, Curved Door Handle
- ⇒ Water-Tight Door Seal
- ⇒ 17" High, ADA-Compliant, Contoured Seat
- ⇒ Interior Safety Grab Bar
- ⇒ Deck-Mounted, U-Shaped Grab Bar
- ⇒ Non-Slip, Textured Floor
- ⇒ Integrated Door Drain
- ⇒ Front Access Maintenance Panels
- ⇒ Color-Matched Extension Kit to Fill to 60"
- ⇒ Flangeless Design

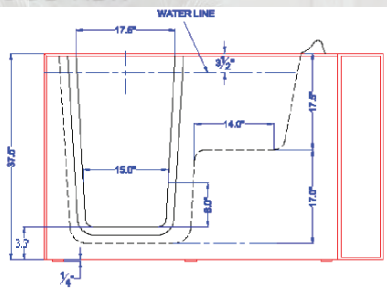
3
0
5
2

TUB 3052 SPECIFICATIONS

TOP VIEW



SIDE VIEW



Tub Dimensions	30"W x 52"L x 40"H
Tub Weight	205 lbs
Crated Dimensions	31"W x 53"L x 51"H
Seat Dimensions	17"H x 20.5"W
Water Capacity Occupied	53 Gallons
Door Width	17.6"
Door / Drain Orientation	Left-Hand or Right Hand
Door Swing	Inward-Swinging
Colors Available	White Biscuit

HYDROMASSAGE SYSTEM ADD-ONS & UPGRADES

- ⇒ Leg Massage Only System
- ⇒ Adjustable Bidet Jet
- ⇒ Ozone Sanitization System
- ⇒ Water-Heating Syllent Pump
- ⇒ Friction Heater
- ⇒ Inline Heater
- ⇒ Additional Hip or Knee Jets
- ⇒ Aromatherapy System

W
A
L
K
I
N
T
U
B

The Mobility Bathworks Tub 3053 from our ELITE Series provides a luxury spa experience from the comfort of your own home.

Boasting a 38" high tub basin, the 3053 allows for deeper upper body water immersion while maintaining a compact footprint for almost any bathtub or shower space. Its overall size and 20.5" seat make the 3053 the perfect size for narrow, 60" bathrooms while being large enough to accommodate individuals between 120-250 lbs.



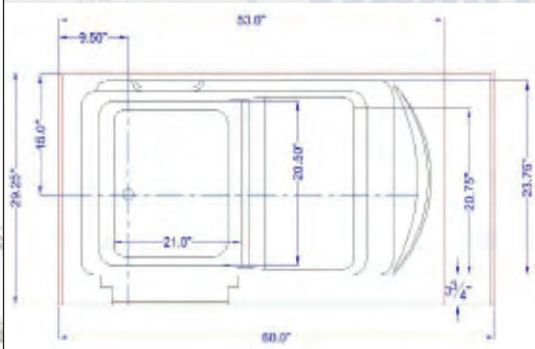
STANDARD FEATURES

- ⇒ Marine-Grade Fiberglass & Resin Composite Tub Shell
- ⇒ High-Gloss, Triple-Coated Gelcoat Finish
- ⇒ One-Piece, Stainless-Steel Support Frame
- ⇒ 6 Adjustable Leveling Legs
- ⇒ Low, 6.8" Door Threshold
- ⇒ Ergonomic, Curved Door Handle
- ⇒ Water-Tight Door Seal
- ⇒ 17" High, ADA-Compliant, Contoured Seat
- ⇒ Interior Safety Grab Bar
- ⇒ Deck-Mounted, U-Shaped Grab Bar
- ⇒ Non-Slip, Textured Floor
- ⇒ Integrated Door Drain
- ⇒ Front Access Maintenance Panels
- ⇒ Color-Matched Extension Kit to Fill to 60"
- ⇒ Flangeless Design

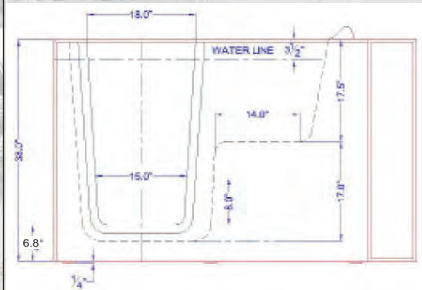
3
0
5
3

TUB 3053 SPECIFICATIONS

TOP VIEW



SIDE VIEW



Tub Dimensions	30"W x 53"L x 38"H
Tub Weight	240 lbs
Crated Dimensions	31"W x 54"L x 48"H
Seat Dimensions	17"H x 20.5"W
Water Capacity Occupied	55 Gallons
Door Width	18"
Door / Drain Orientation	Left-Hand or Right Hand
Door Swing	Inward-Swinging
Colors Available	White Biscuit

HYDROMASSAGE SYSTEM ADD-ONS & UPGRADES

- ⇒ Leg Massage Only System
- ⇒ Adjustable Bidet Jet
- ⇒ Ozone Sanitization System
- ⇒ Water-Heating Syllent Pump
- ⇒ Friction Heater
- ⇒ Inline Heater
- ⇒ Additional Hip or Knee Jets
- ⇒ Aromatherapy System

W
A
L
K

I
N

T
U
B

The Mobility Bathworks Tub 2852 from our ELITE Series provides a luxury spa experience from the comfort of your own home.

Boasting a 41" high tub basin, the 2852 allows for deeper upper body water immersion while maintaining a compact footprint for almost any bathtub or shower space. Its overall size and 23.5" seat make the 2852 the perfect size for narrow, 60" bathrooms while being large enough to accommodate individuals between 120-250 lbs.



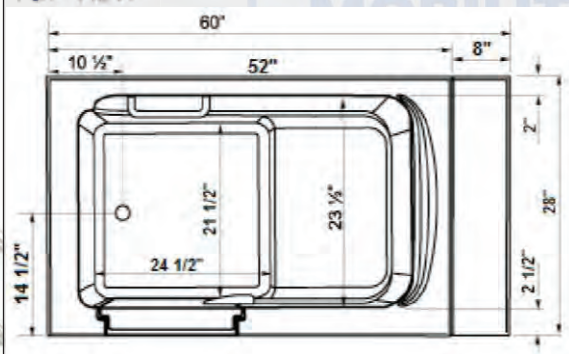
STANDARD FEATURES

- ⇒ Marine-Grade Fiberglass & Resin Composite Tub Shell
- ⇒ High-Gloss, Triple-Coated Gelcoat Finish
- ⇒ One-Piece, Stainless-Steel Support Frame
- ⇒ 6 Adjustable Leveling Legs
- ⇒ Low, 6.8" Door Threshold
- ⇒ Ergonomic, Curved Door Handle
- ⇒ Water-Tight Door Seal
- ⇒ 17" High, ADA-Compliant, Contoured Seat
- ⇒ Interior Safety Grab Bar
- ⇒ Deck-Mounted, U-Shaped Grab Bar
- ⇒ Non-Slip, Textured Floor
- ⇒ Integrated Door Drain
- ⇒ Front Access Maintenance Panels
- ⇒ Color-Matched Extension Kit to Fill to 60"
- ⇒ Flangeless Design

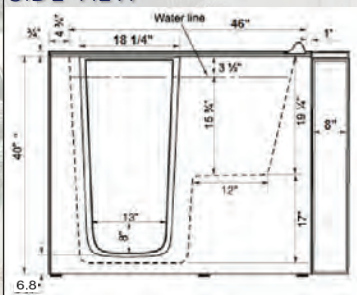
2
8
5
2

TUB 2852 SPECIFICATIONS

TOP VIEW



SIDE VIEW



Tub Dimensions	28"W x 52"L x 41"H
Tub Weight	230 lbs
Crated Dimensions	29"W x 53"L x 52"H
Seat Dimensions	17"H x 23.5"W
Water Capacity Occupied	55 Gallons
Door Width	18.25"
Door / Drain Orientation	Left-Hand or Right Hand
Door Swing	Inward-Swinging
Colors Available	White Biscuit

HYDROMASSAGE SYSTEM ADD-ONS & UPGRADES

- ⇒ Leg Massage Only System
- ⇒ Adjustable Bidet Jet
- ⇒ Ozone Sanitization System
- ⇒ Water-Heating Syllent Pump
- ⇒ Friction Heater
- ⇒ Inline Heater
- ⇒ Additional Hip or Knee Jets
- ⇒ Aromatherapy System

W
A
L
K
I
N
T
U
B

The Mobility Bathworks Tub 3060 from our ELITE Series provides a luxury spa experience from the comfort of your own home.

Boasting a 38" high tub basin, the 3060 allows for deeper upper body water immersion while maintaining a compact footprint for almost any bathtub or shower space. Its overall size and 20" seat make the 3060 the perfect size for narrow, 60" bathrooms while being large enough to accommodate individuals between 120-250 lbs.



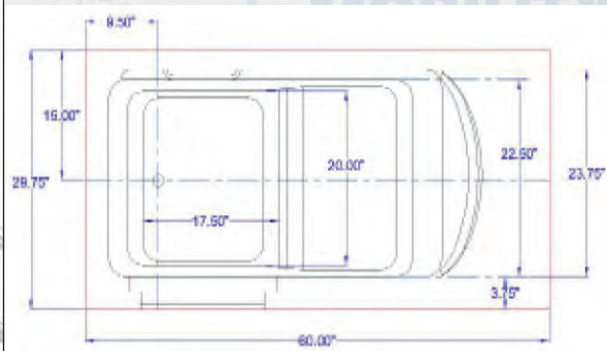
STANDARD FEATURES

- ⇒ Marine-Grade Fiberglass & Resin Composite Tub Shell
- ⇒ High-Gloss, Triple-Coated Gelcoat Finish
- ⇒ One-Piece, Stainless-Steel Support Frame
- ⇒ 6 Adjustable Leveling Legs
- ⇒ Low, 6.8" Door Threshold
- ⇒ Ergonomic, Curved Door Handle
- ⇒ Water-Tight Door Seal
- ⇒ 17" High, ADA-Compliant, Contoured Seat
- ⇒ Interior Safety Grab Bar
- ⇒ Deck-Mounted, U-Shaped Grab Bar
- ⇒ Non-Slip, Textured Floor
- ⇒ Integrated Door Drain
- ⇒ Front Access Maintenance Panels
- ⇒ Color-Matched Extension Kit to Fill to 60"
- ⇒ Flangeless Design

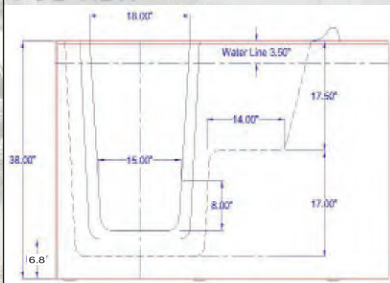
3
0
6
0

TUB 3060 SPECIFICATIONS

TOP VIEW



SIDE VIEW



Tub Dimensions	30"W x 60"L x 38"H
Tub Weight	205 lbs
Crated Dimensions	31"W x 61"L x 46"H
Seat Dimensions	17"H x 20"W
Water Capacity Occupied	64 Gallons
Door Width	18"
Door / Drain Orientation	Left-Hand or Right Hand
Door Swing	Inward-Swinging
Colors Available	White Biscuit

HYDROMASSAGE SYSTEM ADD-ONS & UPGRADES

- ⇒ Leg Massage Only System
- ⇒ Adjustable Bidet Jet
- ⇒ Ozone Sanitization System
- ⇒ Water-Heating Syllent Pump
- ⇒ Friction Heater
- ⇒ Inline Heater
- ⇒ Additional Hip or Knee Jets
- ⇒ Aromatherapy System

W
A
L
K
I
N
T
U
B

The Mobility Bathworks Tub 3355 from our ELITE Series provides a luxury spa experience from the comfort of your own home.

Boasting a 41" high tub basin, the 3355 allows for deeper upper body water immersion while maintaining a compact footprint for almost any bathtub or shower space. Its overall size and 25.5" seat make the 3355 the perfect size for narrow, 60" bathrooms while being large enough to accommodate individuals between 120-250 lbs.



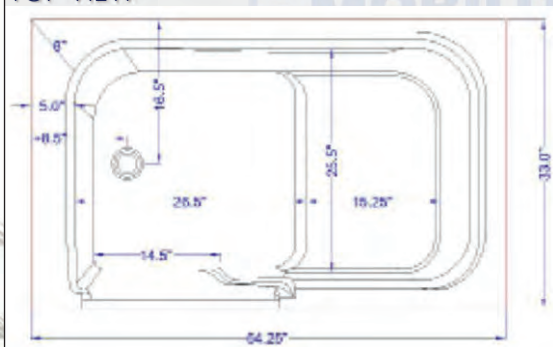
STANDARD FEATURES

- ⇒ Marine-Grade Fiberglass & Resin Composite Tub Shell
- ⇒ High-Gloss, Triple-Coated Gelcoat Finish
- ⇒ One-Piece, Stainless-Steel Support Frame
- ⇒ 6 Adjustable Leveling Legs
- ⇒ Low, 6.8" Door Threshold
- ⇒ Ergonomic, Curved Door Handle
- ⇒ Water-Tight Door Seal
- ⇒ 17" High, ADA-Compliant, Contoured Seat
- ⇒ Interior Safety Grab Bar
- ⇒ Deck-Mounted, U-Shaped Grab Bar
- ⇒ Non-Slip, Textured Floor
- ⇒ Integrated Door Drain
- ⇒ Front Access Maintenance Panels
- ⇒ Color-Matched Extension Kit to Fill to 60"
- ⇒ Flangeless Design

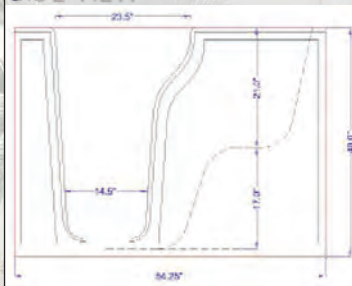
3
3
5
5

TUB 3355 SPECIFICATIONS

TOP VIEW



SIDE VIEW



Tub Dimensions	33"W x 55"L x 41"H
Tub Weight	232 lbs
Crated Dimensions	35"W x 57"L x 51"H
Seat Dimensions	17"H x 25.5"W
Water Capacity Occupied	67 Gallons
Door Width	23.5"
Door / Drain Orientation	Left-Hand or Right Hand
Door Swing	Inward-Swinging
Colors Available	White Biscuit

HYDROMASSAGE SYSTEM ADD-ONS & UPGRADES

- ⇒ Leg Massage Only System
- ⇒ Adjustable Bidet Jet
- ⇒ Ozone Sanitization System
- ⇒ Water-Heating Syllent Pump
- ⇒ Friction Heater
- ⇒ Inline Heater
- ⇒ Additional Hip or Knee Jets
- ⇒ Aromatherapy System

W
A
L
K
I
N
T
U
B

The Mobility Bathworks Tub 3555 from our ELITE Series provides a luxury spa experience from the comfort of your own home.

Boasting a 41" high tub basin, the 3555 allows for deeper upper body water immersion while maintaining a compact footprint for almost any bathtub or shower space. Its overall size and 30.5" seat make the 3555 the perfect size for narrow, 60" bathrooms while being large enough to accommodate individuals between 120-250 lbs.



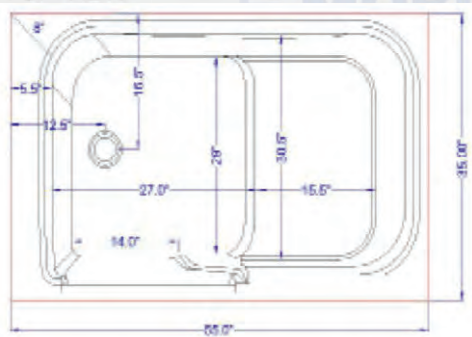
STANDARD FEATURES

- ⇒ Marine-Grade Fiberglass & Resin Composite Tub Shell
- ⇒ High-Gloss, Triple-Coated Gelcoat Finish
- ⇒ One-Piece, Stainless-Steel Support Frame
- ⇒ 6 Adjustable Leveling Legs
- ⇒ Low, 6.8" Door Threshold
- ⇒ Ergonomic, Curved Door Handle
- ⇒ Water-Tight Door Seal
- ⇒ 17" High, ADA-Compliant, Contoured Seat
- ⇒ Interior Safety Grab Bar
- ⇒ Deck-Mounted, U-Shaped Grab Bar
- ⇒ Non-Slip, Textured Floor
- ⇒ Integrated Door Drain
- ⇒ Front Access Maintenance Panels
- ⇒ Color-Matched Extension Kit to Fill to 60"
- ⇒ Flangeless Design

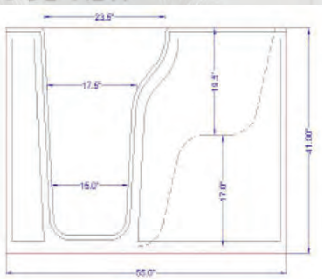
3
5
5
5

TUB 3555 SPECIFICATIONS

TOP VIEW



SIDE VIEW



Tub Dimensions	35"W x 55"L x 41"H
Tub Weight	242 lbs
Crated Dimensions	31"W x 57"L x 51"H
Seat Dimensions	17"H x 30.5"W
Water Capacity Occupied	72 Gallons
Door Width	23.5"
Door / Drain Orientation	Left-Hand or Right Hand
Door Swing	Inward-Swinging
Colors Available	White Biscuit

HYDROMASSAGE SYSTEM ADD-ONS & UPGRADES

- ⇒ Leg Massage Only System
- ⇒ Adjustable Bidet Jet
- ⇒ Ozone Sanitization System
- ⇒ Water-Heating Syllent Pump
- ⇒ Friction Heater
- ⇒ Inline Heater
- ⇒ Additional Hip or Knee Jets
- ⇒ Aromatherapy System

E
L
I
T
E
S
E
R
I
E
S

W
A
L
K

I
N

T
U
B

The Mobility Bathworks Tub HI BOY from our ELITE Series provides a luxury spa experience from the comfort of your own home.

Boasting a 46" high tub basin, the HI BOY allows for deeper upper body water immersion while maintaining a compact footprint for almost any bathtub or shower space. Its overall size and 24" seat make the HI BOY the perfect size for narrow, 60" bathrooms while being large enough to accommodate individuals between 120-250 lbs.



STANDARD FEATURES

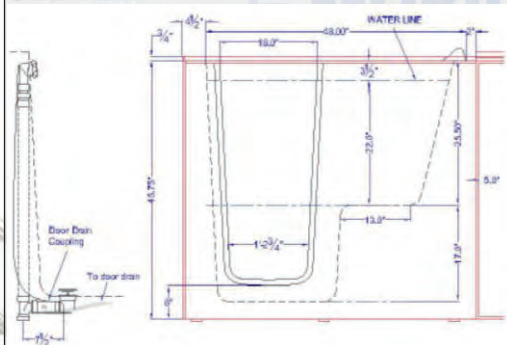
- ⇒ Marine-Grade Fiberglass & Resin Composite Tub Shell
- ⇒ High-Gloss, Triple-Coated Gelcoat Finish
- ⇒ One-Piece, Stainless-Steel Support Frame
- ⇒ 6 Adjustable Leveling Legs
- ⇒ Low, 6.8" Door Threshold
- ⇒ Ergonomic, Curved Door Handle
- ⇒ Water-Tight Door Seal
- ⇒ 17" High, ADA-Compliant, Contoured Seat
- ⇒ Interior Safety Grab Bar
- ⇒ Deck-Mounted, U-Shaped Grab Bar
- ⇒ Non-Slip, Textured Floor
- ⇒ Integrated Door Drain
- ⇒ Front Access Maintenance Panels
- ⇒ Color-Matched Extension Kit to Fill to 60"
- ⇒ Flangeless Design

H
I

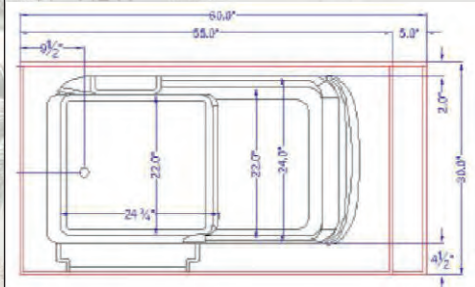
B
O
Y

TUB HI BOY SPECIFICATIONS

SIDE VIEW



TOP VIEW



Tub Dimensions	30"W x 55"L x 46"H
Tub Weight	242 lbs
Crated Dimensions	31"W x 56"L x 56"H
Seat Dimensions	17"H x 24"W
Water Capacity Occupied	95 Gallons
Door Width	18"
Door / Drain Orientation	Left-Hand or Right Hand
Door Swing	Inward-Swinging
Colors Available	White Biscuit

HYDROMASSAGE SYSTEM ADD-ONS & UPGRADES

- ⇒ Leg Massage Only System
- ⇒ Adjustable Bidet Jet
- ⇒ Ozone Sanitization System
- ⇒ Water-Heating Syllent Pump
- ⇒ Friction Heater
- ⇒ Inline Heater
- ⇒ Additional Hip or Knee Jets
- ⇒ Aromatherapy System

W
A
L
K

I
N

T
U
B

The Mobility Bathworks Tub 3338 from our ELITE Series provides a luxury spa experience from the comfort of your own home.

Boasting a 40" high tub basin, the 3338 allows for deeper upper body water immersion while maintaining a compact footprint for almost any bathtub or shower space. Its overall size and 21" seat make the 3338 the perfect size for narrow, 60" bathrooms while being large enough to accommodate individuals between 120-250 lbs.



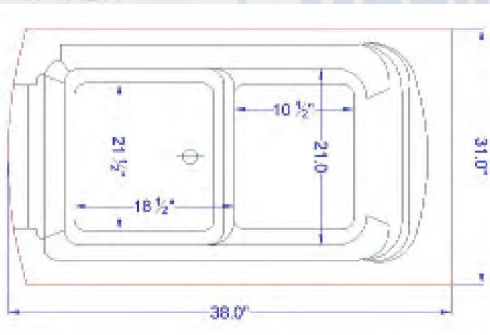
STANDARD FEATURES

- ⇒ Marine-Grade Fiberglass & Resin Composite Tub Shell
- ⇒ High-Gloss, Triple-Coated Gelcoat Finish
- ⇒ One-Piece, Stainless-Steel Support Frame
- ⇒ 6 Adjustable Leveling Legs
- ⇒ Low, 6.8" Door Threshold
- ⇒ Ergonomic, Curved Door Handle
- ⇒ Water-Tight Door Seal
- ⇒ 17" High, ADA-Compliant, Contoured Seat
- ⇒ Interior Safety Grab Bar
- ⇒ Deck-Mounted, U-Shaped Grab Bar
- ⇒ Non-Slip, Textured Floor
- ⇒ Integrated Door Drain
- ⇒ Front Access Maintenance Panels
- ⇒ Color-Matched Extension Kit to Fill to 60"
- ⇒ Flangeless Design

3
3
3
8

TUB 3338 SPECIFICATIONS

TOP VIEW



SIDE VIEW



Tub Dimensions	33"W x 38"L x 40"H
Tub Weight	240 lbs
Crated Dimensions	34"W x 39"L x 48"H
Seat Dimensions	17"H x 21"W
Water Capacity Occupied	42 Gallons
Door Width	24"
Door / Drain Orientation	Left-Hand or Right Hand
Door Swing	Outward-Swinging
Colors Available	White Biscuit

HYDROMASSAGE SYSTEM ADD-ONS & UPGRADES

- ⇒ Leg Massage Only System
- ⇒ Adjustable Bidet Jet
- ⇒ Ozone Sanitization System
- ⇒ Water-Heating Syllent Pump
- ⇒ Friction Heater
- ⇒ Inline Heater
- ⇒ Additional Hip or Knee Jets
- ⇒ Aromatherapy System

E
L
I
T
E

S
E
R
I
E
S

T
R
A
N
S
F
E
R

T
U
B

The Mobility Bathworks Transfer Tub 2852 from our ELITE Series provides a luxury spa experience from the comfort of your own home.

Boasting a 41" high tub basin, the Transfer 2852 allows for deeper upper body water immersion while maintaining a compact footprint for almost any bathtub or shower space. Its overall size and 21.5" seat make the Transfer 2852 the perfect size for narrow, 60" bathrooms while being large enough to accommodate individuals between 120-250 lbs.



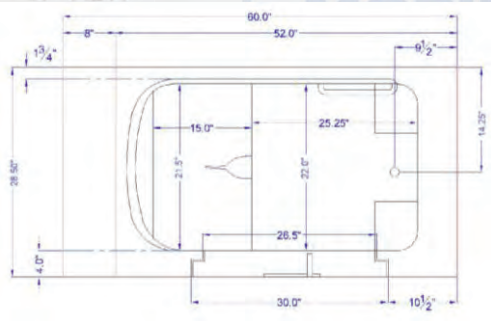
STANDARD FEATURES

- ⇒ Marine-Grade Fiberglass & Resin Composite Tub Shell
- ⇒ High-Gloss, Triple-Coated Gelcoat Finish
- ⇒ One-Piece, Stainless-Steel Support Frame
- ⇒ 6 Adjustable Leveling Legs
- ⇒ Low, 6.8" Door Threshold
- ⇒ Ergonomic, Curved Door Handle
- ⇒ Water-Tight Door Seal
- ⇒ 16.25" High, ADA-Compliant, Contoured Seat
- ⇒ Interior Safety Grab Bar
- ⇒ Deck-Mounted, U-Shaped Grab Bar
- ⇒ Non-Slip, Textured Floor
- ⇒ Integrated Door Drain
- ⇒ Front Access Maintenance Panels
- ⇒ Color-Matched Extension Kit to Fill to 60"
- ⇒ Flangeless Design

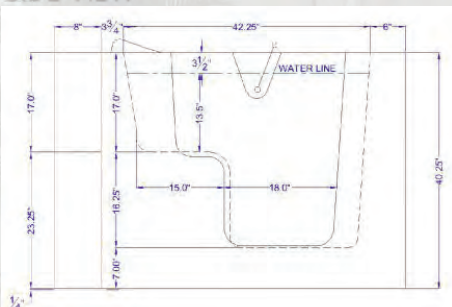
2
8
5
2

TUB 2852 TRANSFER SPECIFICATIONS

TOP VIEW



SIDE VIEW



Tub Dimensions	28"W x 52"L x 41"H
Tub Weight	270 lbs
Crated Dimensions	29"W x 53"L x 50"H
Seat Dimensions	16.25"H x 21.5"W
Water Capacity Occupied	55 Gallons
Door Width	30"
Door / Drain Orientation	Left-Hand or Right Hand
Door Swing	Outward-Swinging
Colors Available	White Biscuit

HYDROMASSAGE SYSTEM ADD-ONS & UPGRADES

- ⇒ Leg Massage Only System
- ⇒ Adjustable Bidet Jet
- ⇒ Ozone Sanitization System
- ⇒ Water-Heating Syllent Pump
- ⇒ Friction Heater
- ⇒ Inline Heater
- ⇒ Additional Hip or Knee Jets
- ⇒ Aromatherapy System

T
R
A
N
S
F
E
R

T
U
B

The Mobility Bathworks Transfer Tub 3052 from our ELITE Series provides a luxury spa experience from the comfort of your own home.

Boasting a 41" high tub basin, the Transfer 3052 allows for deeper upper body water immersion while maintaining a compact footprint for almost any bathtub or shower space. Its overall size and 22" seat make the Transfer 3052 the perfect size for narrow, 60" bathrooms while being large enough to accommodate individuals between 120-250 lbs.



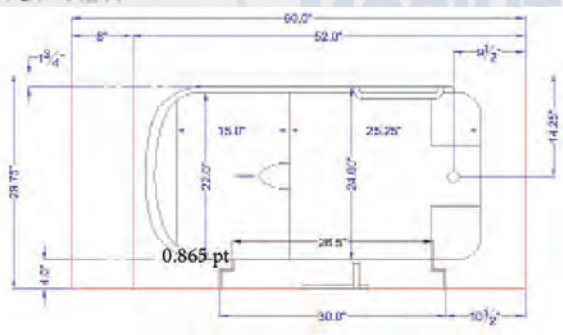
STANDARD FEATURES

- ⇒ Marine-Grade Fiberglass & Resin Composite Tub Shell
- ⇒ High-Gloss, Triple-Coated Gelcoat Finish
- ⇒ One-Piece, Stainless-Steel Support Frame
- ⇒ 6 Adjustable Leveling Legs
- ⇒ Low, 6.8" Door Threshold
- ⇒ Ergonomic, Curved Door Handle
- ⇒ Water-Tight Door Seal
- ⇒ 16.25" High, ADA-Compliant, Contoured Seat
- ⇒ Interior Safety Grab Bar
- ⇒ Deck-Mounted, U-Shaped Grab Bar
- ⇒ Non-Slip, Textured Floor
- ⇒ Integrated Door Drain
- ⇒ Front Access Maintenance Panels
- ⇒ Color-Matched Extension Kit to Fill to 60"
- ⇒ Flangeless Design

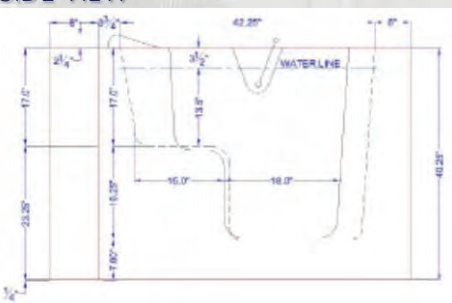
3
0
5
2

TUB 3052 TRANSFER SPECIFICATIONS

TOP VIEW



SIDE VIEW



Tub Dimensions	30"W x 52"L x 41"H
Tub Weight	270 lbs
Crated Dimensions	31"W x 53"L x 50"H
Seat Dimensions	16.25"H x 22"W
Water Capacity Occupied	58 Gallons
Door Width	30"
Door / Drain Orientation	Left-Hand or Right Hand
Door Swing	Outward-Swinging
Colors Available	White Biscuit

HYDROMASSAGE SYSTEM ADD-ONS & UPGRADES

- ⇒ Leg Massage Only System
- ⇒ Adjustable Bidet Jet
- ⇒ Ozone Sanitization System
- ⇒ Water-Heating Syllent Pump
- ⇒ Friction Heater
- ⇒ Inline Heater
- ⇒ Additional Hip or Knee Jets
- ⇒ Aromatherapy System



T
R
A
N
S
F
E
R

T
U
B

The Mobility Bathworks Transfer Tub 3252 from our ELITE Series provides a luxury spa experience from the comfort of your own home.

Boasting a 41" high tub basin, the Transfer 3252 allows for deeper upper body water immersion while maintaining a compact footprint for almost any bathtub or shower space. Its overall size and 22.5" seat make the Transfer 3252 the perfect size for narrow, 60" bathrooms while being large enough to accommodate individuals between 120-250 lbs.



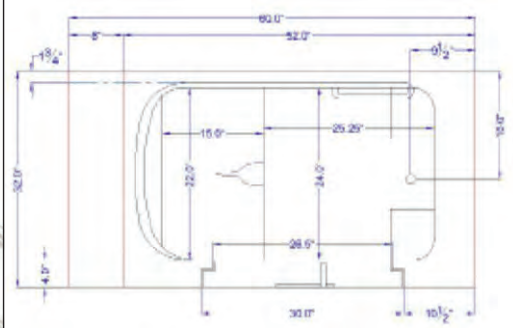
STANDARD FEATURES

- ⇒ Marine-Grade Fiberglass & Resin Composite Tub Shell
- ⇒ High-Gloss, Triple-Coated Gelcoat Finish
- ⇒ One-Piece, Stainless-Steel Support Frame
- ⇒ 6 Adjustable Leveling Legs
- ⇒ Low, 6.8" Door Threshold
- ⇒ Ergonomic, Curved Door Handle
- ⇒ Water-Tight Door Seal
- ⇒ 16.25" High, ADA-Compliant, Contoured Seat
- ⇒ Interior Safety Grab Bar
- ⇒ Deck-Mounted, U-Shaped Grab Bar
- ⇒ Non-Slip, Textured Floor
- ⇒ Integrated Door Drain
- ⇒ Front Access Maintenance Panels
- ⇒ Color-Matched Extension Kit to Fill to 60"
- ⇒ Flangeless Design

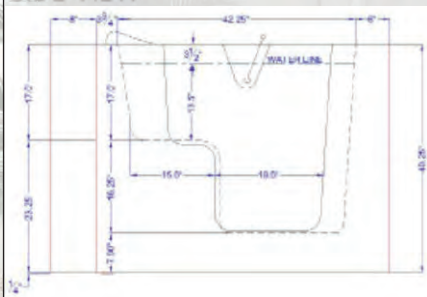
3
2
5
2

TUB 3252 TRANSFER SPECIFICATIONS

TOP VIEW



SIDE VIEW



Tub Dimensions	32"W x 52"L x 41"H
Tub Weight	280 lbs
Crated Dimensions	33"W x 53"L x 51"H
Seat Dimensions	16.25"H x 22.5"W
Water Capacity Occupied	60 Gallons
Door Width	30"
Door / Drain Orientation	Left-Hand or Right Hand
Door Swing	Outward-Swinging
Colors Available	White Biscuit

HYDROMASSAGE SYSTEM ADD-ONS & UPGRADES

- ⇒ Leg Massage Only System
- ⇒ Adjustable Bidet Jet
- ⇒ Ozone Sanitization System
- ⇒ Water-Heating Syllent Pump
- ⇒ Friction Heater
- ⇒ Inline Heater
- ⇒ Additional Hip or Knee Jets
- ⇒ Aromatherapy System

T
R
A
N
S
F
E
R

T
U
B

The Mobility Bathworks Transfer Tub 3260 from our ELITE Series provides a luxury spa experience from the comfort of your own home.

Boasting a 33" high tub basin, the Transfer 3260 allows for deeper upper body water immersion while maintaining a compact footprint for almost any bathtub or shower space. Its overall size make the Transfer 3260 the perfect size for narrow, 60" bathrooms while being large enough to accommodate individuals between 120-250 lbs.



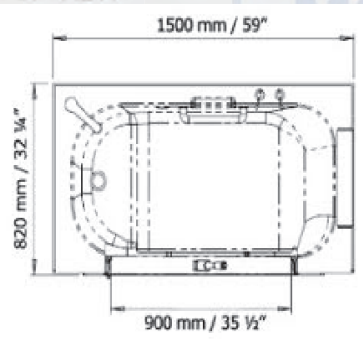
STANDARD FEATURES

- ⇒ Marine-Grade Fiberglass & Resin Composite Tub Shell
- ⇒ High-Gloss, Triple-Coated Gelcoat Finish
- ⇒ One-Piece, Stainless-Steel Support Frame
- ⇒ 6 Adjustable Leveling Legs
- ⇒ 17" Door Threshold
- ⇒ Ergonomic, Curved Door Handle
- ⇒ Water-Tight Door Seal
- ⇒ Interior Safety Grab Bar
- ⇒ Deck-Mounted, U-Shaped Grab Bar
- ⇒ Non-Slip, Textured Floor
- ⇒ Integrated Door Drain
- ⇒ Front Access Maintenance Panels
- ⇒ Color-Matched Extension Kit to Fill to 60"
- ⇒ Flangeless Design

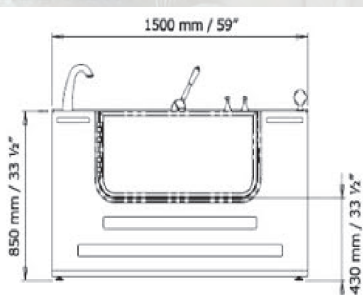
3
2
6
0

TUB 3260 TRANSFER SPECIFICATIONS

TOP VIEW



SIDE VIEW



Tub Dimensions	32"W x 60"L x 33"H
Tub Weight	270 lbs
Crated Dimensions	33"W x 61"L x 40"H
Water Capacity Occupied	50 Gallons
Inner Width	23"
Door Width	35.5"
Door / Drain Orientation	Left-Hand or Right Hand
Door Swing	Outward-Swinging
Colors Available	White Biscuit

HYDROMASSAGE SYSTEM ADD-ONS & UPGRADES

- ⇒ Leg Massage Only System
- ⇒ Adjustable Bidet Jet
- ⇒ Ozone Sanitization System
- ⇒ Water-Heating Syllent Pump
- ⇒ Friction Heater
- ⇒ Inline Heater
- ⇒ Additional Hip or Knee Jets
- ⇒ Aromatherapy System

W
A
L
K
I
N
T
U
B

The Mobility Bathworks Tub LAY DOWN from our ELITE Series provides a luxury spa experience from the comfort of your own home.

Boasting a 23" high tub basin, the LAY DOWN allows for deeper upper body water immersion while maintaining a compact footprint for almost any bathtub or shower space. Its overall size make the LAY DOWN the perfect size for narrow, 60" bathrooms while being large enough to accommodate individuals between 120-250 lbs.



STANDARD FEATURES

- ⇒ Marine-Grade Fiberglass & Resin Composite Tub Shell
- ⇒ High-Gloss, Triple-Coated Gelcoat Finish
- ⇒ One-Piece, Stainless-Steel Support Frame
- ⇒ 6 Adjustable Leveling Legs
- ⇒ Low, 6.83" Door Threshold
- ⇒ Ergonomic, Curved Door Handle
- ⇒ Water-Tight Door Seal
- ⇒ Interior Safety Grab Bar
- ⇒ Deck-Mounted, U-Shaped Grab Bar
- ⇒ Non-Slip, Textured Floor
- ⇒ Integrated Door Drain
- ⇒ Front Access Maintenance Panels
- ⇒ Color-Matched Extension Kit to Fill to 60"
- ⇒ Flangeless Design

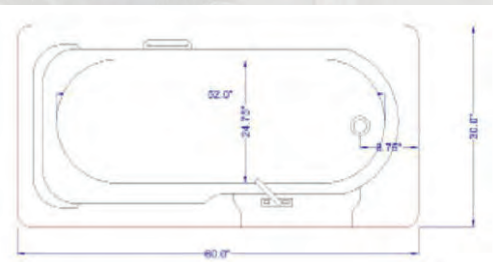
L
A
Y
D
O
W
N

TUB LAY DOWN SPECIFICATIONS

SIDE VIEW



TOP VIEW



Tub Dimensions	30"W x 60"L x 23"H
Tub Weight	190 lbs
Crated Dimensions	31"W x 61"L x 30"H
Water Capacity Occupied	30 Gallons
Inner Width	24.75"
Door Width	20.25"
Door / Drain Orientation	Left-Hand or Right Hand
Door Swing	Inward-Swinging
Colors Available	White Biscuit

HYDROMASSAGE SYSTEM ADD-ONS & UPGRADES

- ⇒ Leg Massage Only System
- ⇒ Adjustable Bidet Jet
- ⇒ Ozone Sanitization System
- ⇒ Water-Heating Syllent Pump
- ⇒ Friction Heater
- ⇒ Inline Heater
- ⇒ Additional Hip or Knee Jets
- ⇒ Aromatherapy System